

# SCP-3000 Intelligent industrial power supply

## Features:

- Input voltage range : 180-264VAC
- Protection: short circuit/over current/over temperature
- Analog voltage control
- Main external switch control

## Applications:

- Industrial control or automation equipment
- Laser related machines
- UV curing equipment
- Charging equipment
- Test and measurement instruments
- Aging equipment

## Description:

The SCP-3000 is a 3KW single-output housing type AC to DC/DC to DC power supply. The full range of input voltages is 180-264VAC / 250-370VDC and provides DC outputs to meet most industrial needs. Each model can be cooled by internal speed control fan, operating temperature up to 50° C. Built-in features such as adjustable output voltage, current, remote on/off control, auxiliary power supply and other functions provide a variety of design flexibility.

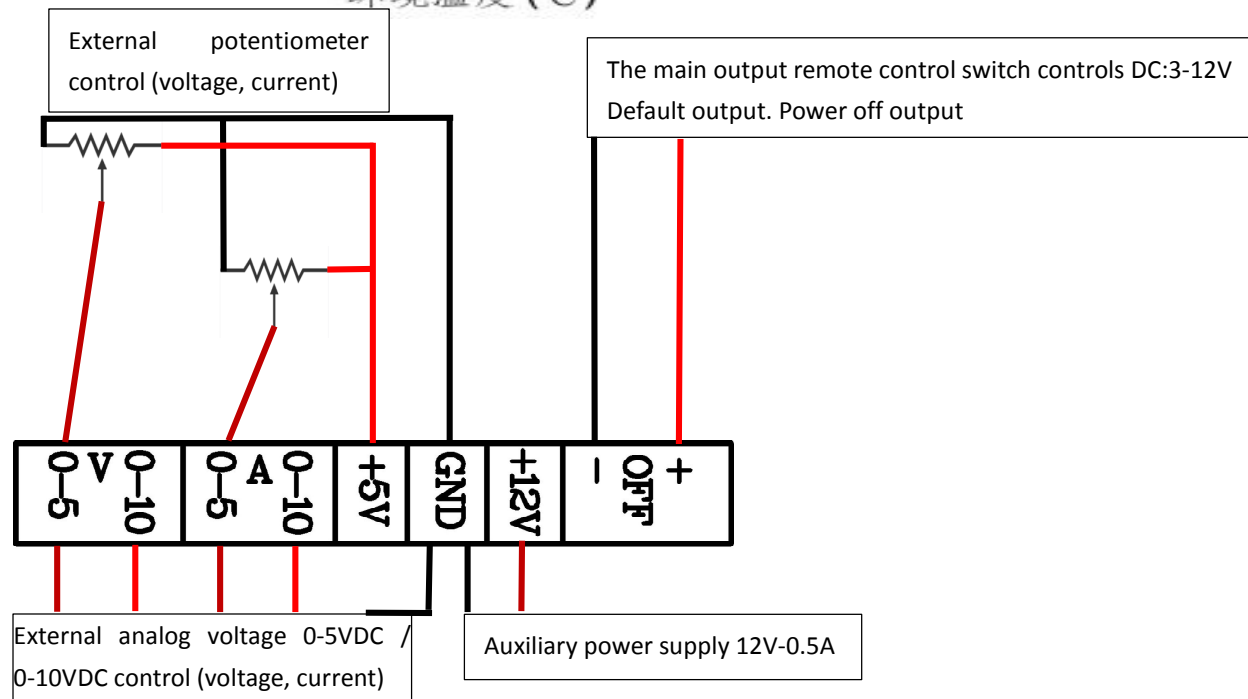
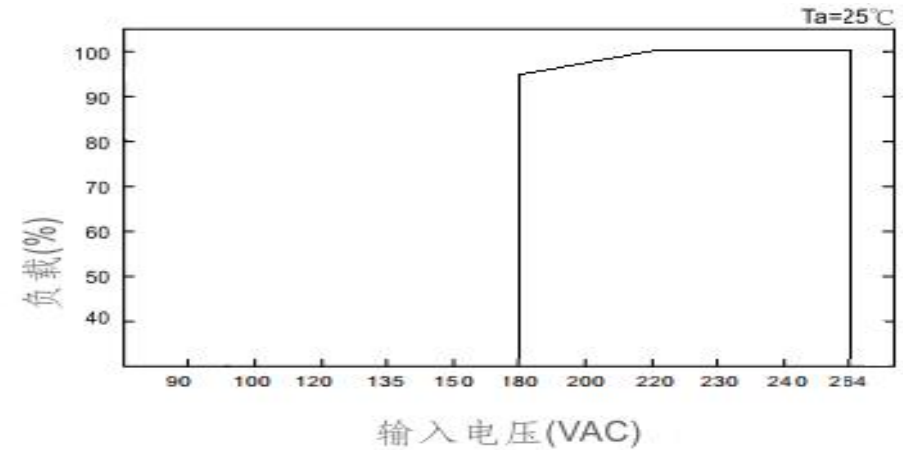
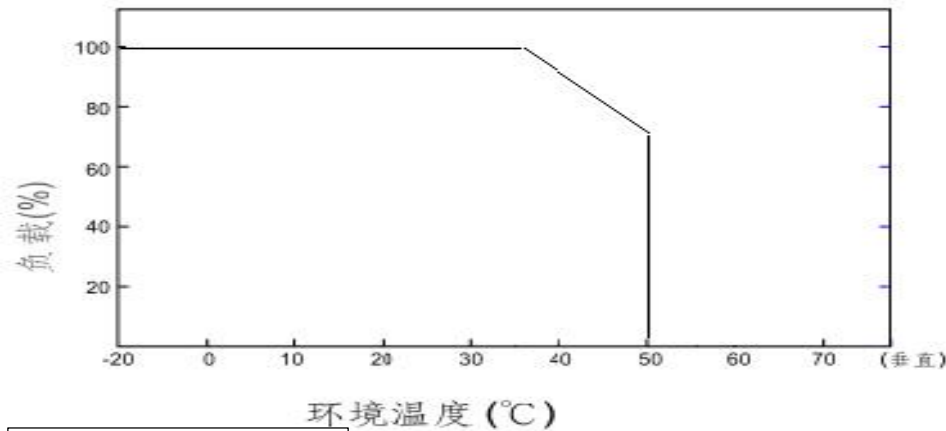
Model		SCP-3000-12	SCP-3000-24	SCP-3000-36	SCP-3000-48	SCP-3000-60	SCP-3000-96	SCP-3000-110	SCP-3000-150	SCP-3000-220	
O U T P U T	DC voltage	12V	24V	36V	48V	60V	96V	110V	150V	220V	
	Rated current	250A	125A	83.3A	62.5A	50A	31.3A	27.3A	20A	13.6A	
	Current range	0 - 250A	0 - 125A	0 - 83.3A	0 - 62.5A	0 - 50A	0 - 31.3A	0 - 27.3A	0 - 20A	0 - 13.6A	
	Rated power	3000W									
	Ripple & Roise	200mV	200mV	260mV	350mV	400mV	600mV	850mV	900mV	1000mV	
	Constant current range	6 - 12V	12 - 24V	18 - 36V	24 - 48V	25 - 50V	48 - 96V	55 - 110V	75 - 150V	110 - 220V	
	Voltage tolerance	±1.0%									
	Line regulation	±1.0%									
	Load regulation	±1.0%									
Setup risetime	1500mS, 100mS/230VAC(Full load)										
I N P U T	Voltage range	180 - 264VAC / 245 - 370VDC									
	Frequency range	45Hz - 65Hz									
	Power factor	PF ≥ 0.65/230VAC(Full load)									
	Efficiency	85 %	86 %	87 %	89 %	90 %	90 %	90 %	90 %	91 %	91 %
	AC Current	< 30A									
	Leakage current	< 3.0mA / 240VAC									

PROTECTION	Short circuit	Entry constant current								
	Over temperature	Turn off the output and automatically recover or restart after the temperature drops								
FUNCTION	Output voltage adjustment	0 - 13.2V	0 - 26.4V	0 - 39.6V	0 - 52.8V	0 - 66V	0 - 105.6V	0 - 121V	0 - 165V	0 - 242V
	Output constant current adjustment	0 - 250A	0 - 125A	0 - 83.3A	0 - 62.5A	0 - 50A	0 - 31.3A	0 - 27.3A	0 - 20A	0 - 13.6A
	External potentiometer	External potentiometer control (voltage, current)								
	Analog voltage control	0 - 5V / 0 - 10V control (voltage, current)								
	Auxiliary power supply	12V 0.5A								
	Remote control switch	Default power on, high power off (3V-12V)								
ENVIRONMENT	Working TEMP.	-20 - +50°C								
	Working humidity	-20 - 90% RH non-condensing								
	Storage TEMP. and humidity	-40 - +85°C, 10 - 95% RH non-condensing								
	Vibration resistance	10 - 500Hz, 2G 10mins/T, X, Y, Z axis 60 minutes each								
SAFETY	Isolation resistance	input-output:100Mhms/500VDC/25°C/70%RH								
	Withstand voltage	I/P-O/P:1.2KVAC I/P-FG:1.2KVAC O/P-FG:0.5KVAC								
EMC	EMC emission	GB 9254								
	EMC immunity	GB 9254								
OTHERS	Dimension	285*185*70mm (L*W*H)								
	Net weight	3.75 KG								

NO  
TE

1. All parameters NOT specially mentioned are measured at 230VAC input, rated load and 25°C of ambient temperature.
2. Ripple & noise are measured at 20MHz of bandwidth by using a 12" twisted pair-wire terminated with a 0.1uf & 47uf parallel capacitor.
3. Tolerance: includes set up tolerance, line regulation and load regulation.
4. If the input voltage is low, the output needs to be derated. For details, see the static characteristic diagram.
5. Length of setup time is measured at cold first start, Turning ON/OFF the power supply may lead to increase of the setup time.

## Static characteristic



安装尺寸图:

